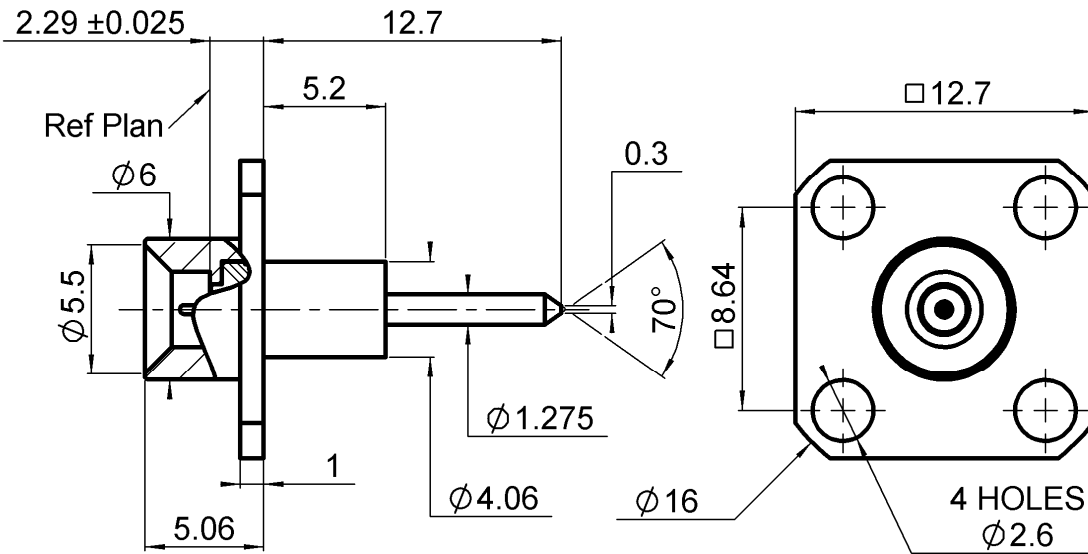


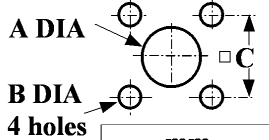
SQUARE FLANGE JACK RECEPTACLE
CYLINDRICAL CONTACT - SMOOTH BORE

R222.414.701

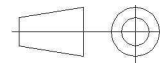
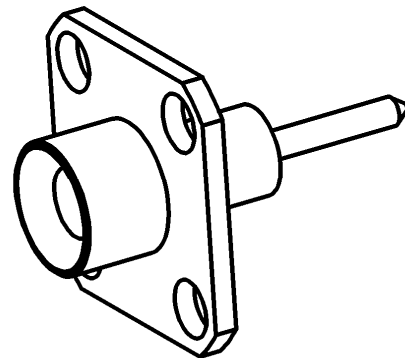
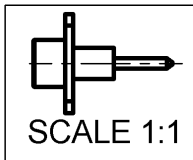
Series : SMP



PANEL CUT OUT



mm		
	Maxi	mini
A	4.15	4.1
B	2.8	2.7
C	8.69	8.59



All dimensions are in mm.

COMPONENTS	MATERIALS	PLATING (µm)
BODY	STAINLESS STEEL	PASSIVATED
CENTER CONTACT	BERYLLIUM COPPER	GOLD 1.27 OVER NICKEL 1.27
OUTER CONTACT	-	-
INSULATOR	PTFE	-
GASKET	-	-
OTHERS PARTS	-	-
-	-	-
-	-	-

Issue : 0949 A

In the effort to improve our products, we reserve the right to make changes judged to be necessary.



**SQUARE FLANGE JACK RECEPTACLE
CYLINDRICAL CONTACT - SMOOTH BORE**

R222.414.701

Series : SMP

PACKAGING

Standard	Unit	Other
100	'W' option	Contact us

SPECIFICATION

ELECTRICAL CHARACTERISTICS

Impedance	50	Ω
Frequency	0-12	GHz
VSWR	1.2* + 0,0000	x F(GHz) Maxi
Insertion loss	0.1	\sqrt{F} (GHz) dB Maxi
RF leakage	NA	- F(GHz)) dB Maxi
Voltage rating	335	Veff Maxi
Dielectric withstanding voltage	500	Veff mini
Insulation resistance	5000	M Ω mini

ENVIRONMENTAL

Operating temperature	-65/+165	$^{\circ}$ C
Hermetic seal	NA	Atm.cm3/s
Panel leakage	NA	

OTHER CHARACTERISTICS

Assembly instruction

Others :

* Coaxial transmission line only

MECHANICAL CHARACTERISTICS

Center contact retention		
Axial force – Mating end	6.8	N mini
Axial force – Opposite end	6.8	N mini
Torque	NA	N.cm mini
Recommended torque		
Mating	NA	N.cm
Panel nut	NA	N.cm
Mating life	100	Cycles mini
Weight	1,8300	g

Issue : 0949 A

In the effort to improve our products, we reserve the right to make changes judged to be necessary.

RADIALL 